

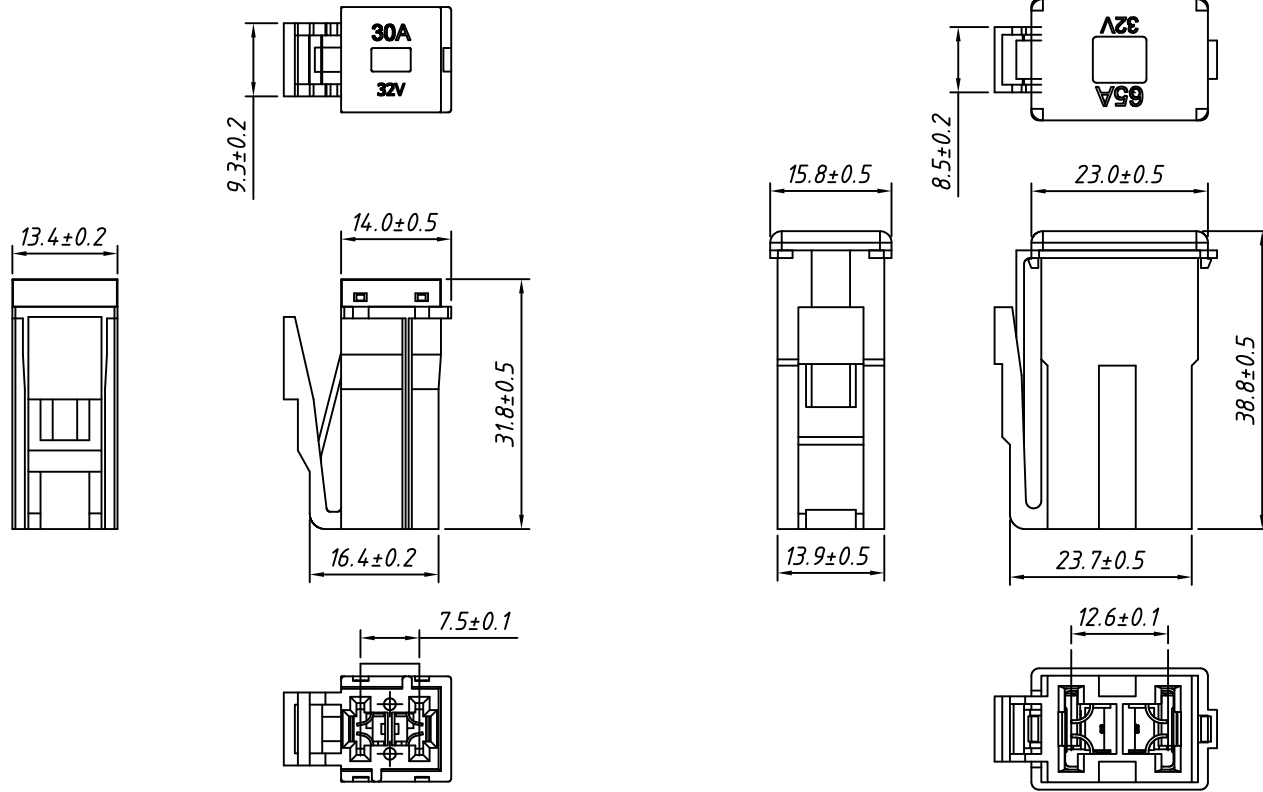
Part Number	Current Rating	Housing Color
L-KLS5-228F-025-A	25A	Brown
L-KLS5-228F-030-A	30A	Green
L-KLS5-228F-045-A	45A	Red
L-KLS5-228F-065-A	65A	Yellow
L-KLS5-228F-075-A	75A	Black

25A ~ 30A

45A ~ 75A

Characteristics:
 Voltage Rating: 32V DC
 Current Rating: 20A ~ 100A
 Operating Temperature: -40°C to +125°C

Material:
 Body: PC / Plastic
 Contact: Copper Alloy



Time-Current Characteristics

% of Rating	Opening Time	
	25 ~ 30A	45 ~ 75A
110	-----	14400s
150	-----	100s
200	5s to 70s	2s to 60s
300	6s	5s
600	3s	2s

GENERAL TOLERANCE	PROJECTION		Description:
X: ±0.5	UNITS	mm	32V Auto Link PAL Fuse
.X: ±0.25	SCALE	1:1	
.XX: ±0.15	Draw by:	Daniel	KLS P/N: L-KLS5-228F-XXX-A
ANGLE TOLERANCE	Check by:	Daniel	NingBo KLS ELECTRONIC CO.,L TD.
X: ±5°	Date	2022-09-01	
.X: ±3°	SHEET	1 OF 1	
.XX: ±2°			